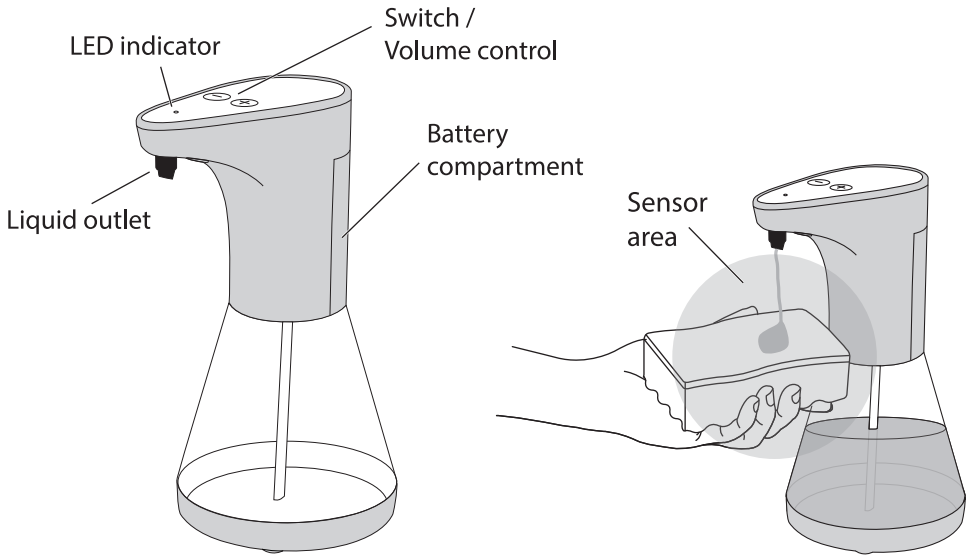
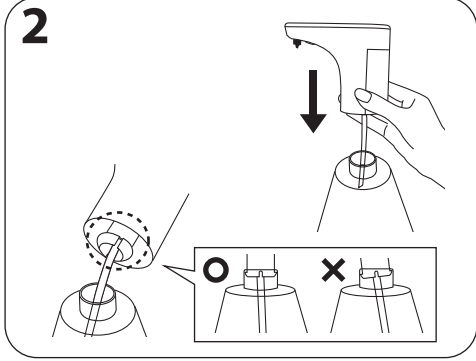
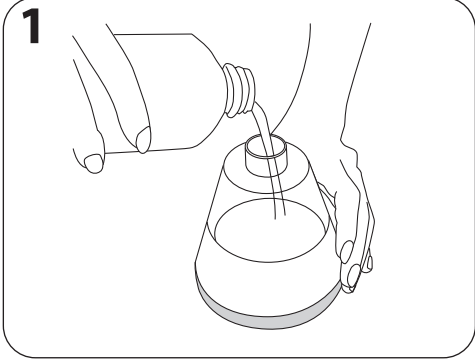


AUTO SOAP DISPENSER MT5520 - USER MANUAL



FILL THE TANK WITH SOAP



INSTALLATION & PLACING THE BATTERIES

